

high frequency plastics welding machines



Fabrication of utility articles of flexible PVC sheets and films by High Frequency Welding Technique is an established and accepted method.

Embossing of various designs and figures on thick PVC leather cloth is also done by this method by makers of auto upholstery, footwear, and in the furniture industry.

Welding tools can be made according to desired profile of the welding or the emboss line.

The list of utility articles which can be made is endless, however a few of these are listed hereunder:

INFLATABLE ITEMS

Balloons, Dolls, Beach Balls, Swimming Pads and Aids

ADVERTISING AIDS

Advertising Premiums, Wallets, Tool Kit Covers, Luggage Aids, Novelties

AUTOMOBILE ITEMS

Two-wheeler Seats, Jeep Hoods, Door Trims, Sun Visors, Heel Mats, Jeep Window, Auto Rick Window, etc.

SURGICAL & HOSPITAL REQUISITES

Aprons, Saline Bags, Urine Bags, Transfusion Sets, Blood Collection Bags

FOOTWEAR ITEMS

Embossing on Fancy Footwear, Sandals, Chappals

STATIONERY ITEMS

Diary and Book Covers, Folders, Files, Writing Cases, Pencil and Compass Boxes, Photo Albums

LIFESTYLE ITEMS

Wallets, Purses, Spectacle Cases, Pocket Secretaries, Key Chains

ARCHITECTURE

Tensile Structures, Canopies, Awnings

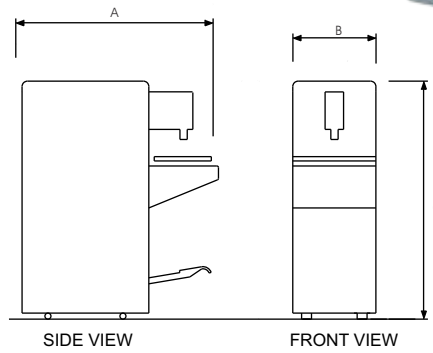
MISCELLANEOUS

Rainwear, Tents, Flask Belts, Hats, Cassette Boxes, Umbrella Covers, Hosiery and Dress Materials, Shrink Wrap Sleeves

1.1 kW

Multi purpose machine suitable for welding of articles like wallets, pouches, transfusion sets, diary and book covers

Model Name	J - 1.1
Electrical Input	1 ph, 230V, 50/60 Hz, 2.5kVA
RF Power	1.1 kW
RF Frequency	27.12 MHz
Welding Capacity	25 sqr cms
Compressed Air	2 litre/minute @ 4kgs/cm (For Pneumatic Model)
Welding Stroke m.m.	100
Throat Clearance m.m.	225
Work Plate Size m.m.	455 x 380



MODEL NAME	A	B	C
J-1.1	1066	460	1280



1.5/3.0 kW

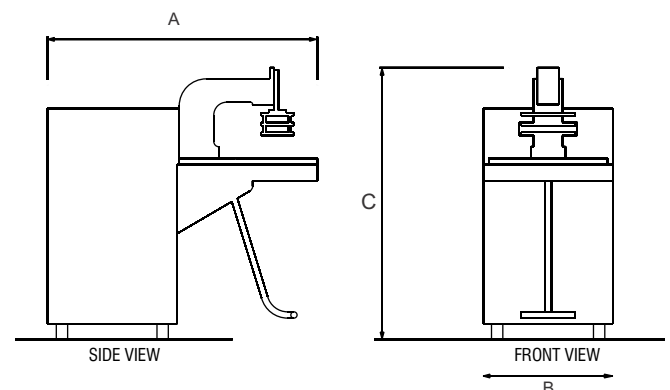
Light weight, compact, yet robust construction to bear industrial abuse.

Salient Features

- ! Highly efficient cavity resonator delivers output at stabilized frequency
- ! RF Circuit with stabilised resonator to minimise electro magnetic interference
- ! Foot pedal operated toggle press generates high working pressure for bigger dies
- ! Pneumatically Boosted Mechanical Toggle Press (option)

Model Name	JG - 1.5 / JPN G - 1.5	JG - 3.0 / JPN G - 3.0
Electrical Input	1 ph, 230V, 50/60 Hz, 3 kVA	3 ph, 415V, 50/60 Hz, 6kVA
RF Power	1.5 kW	3.0 kW
RF Frequency	27.12 MHz	27.12 MHz
Welding Capacity	37.5 sqr cms	75 sqr cms
Compressed Air	2 litre/minute @ 4kgs/cm (For Pneumatic Model)	6 litre/minute @ 4 kgs/cm (For Pneumatic Model)
Welding Stroke m.m.	100	100
Throat Clearance m.m.	245	275
Work Plate Size m.m.	515 x 380	700 x 430

MODEL NAME	A	B	C
JG - 1.5	1250	600	1300
JPN G - 1.5			
JG - 1.5	1500	700	1260
JPN G - 1.5			



Auto-Indexer

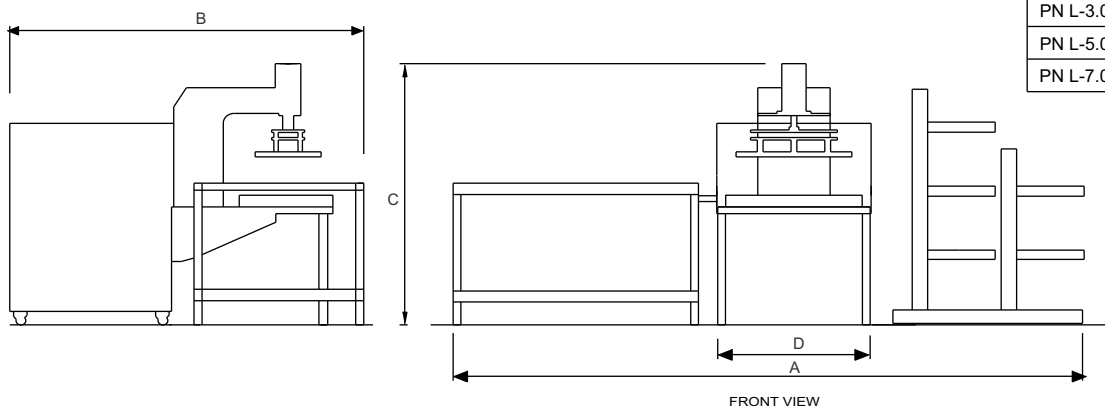
Auto Indexing device available with 3.0, 5.0 and 7.0 kW generators.

The indexing and unwinding mechanism are pneumatically operated and are very easy to maintain. Indexing is continuously variable from 150 mm minimum stroke to the maximum designed for a particular machine. Indexing distance can be set very accurately with the help of a wheel and is visible on a scale in front of the indexing unit.

Heat barrier can be run in a continuous belt form, to support the welding material wherever required. Continuously heated die holding plate is provided (optional extra) so that welding electrodes can be operated at elevated temperature to facilitate welding of rigid PVC films / sheets.



Model Name	PN L - 3.0 AI	PN L - 5.0 AI	PN L - 7.0 AI
Electrical Input	3 ph, 415V, 50/60 Hz, 6kVA	3 ph, 415V, 50/60 Hz, 10 kVA	3 ph, 415V, 50/60 Hz, 14 kVA
RF Power	3.0 kW	5.0 kW	7.0 kW
RF Frequency	27.12 MHz	27.12 MHz	27.12 MHz
Welding Capacity	75 sqr cms	125 sqr cms	175 sqr cms
Compressed Air	6 litre/minute @ 4 kgs/cm	20 litres/minute @ 4 kgs/cm	20 litre/minute @ 4 kgs/cm
Welding Stroke m.m.	100	100	125
Throat Clearance m.m.	275	325	450
Work Plate Size m.m.	700 x 430	800 x 550	1000 x 700
Index Length Max m.m.	700	800	800
Unwind Rolls	3 & 5 Nos	3 & 5 Nos	3 & 5 Nos



MODEL NAME	A	B	C	D
PN L-3.0 AI	3100	1655	1480	700
PN L-5.0 AI	3350	1850	1600	800
PN L-7.0 AI	3460	1850	1600	910

FRONT VIEW

Shuttle-Tray (Manual)

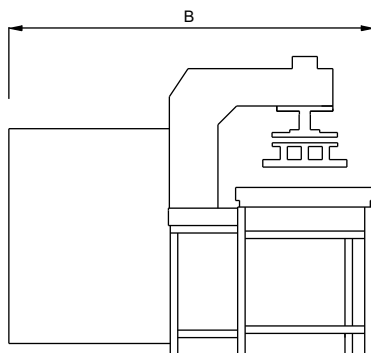
Multi purpose machine suitable for welding of articles like Stationery items : Diary Covers, L Folders, Surgical items, Multi Element Welding, Car Floor Mats and Blister Packing for CDs, Pens, Locks etc.

Salient Features

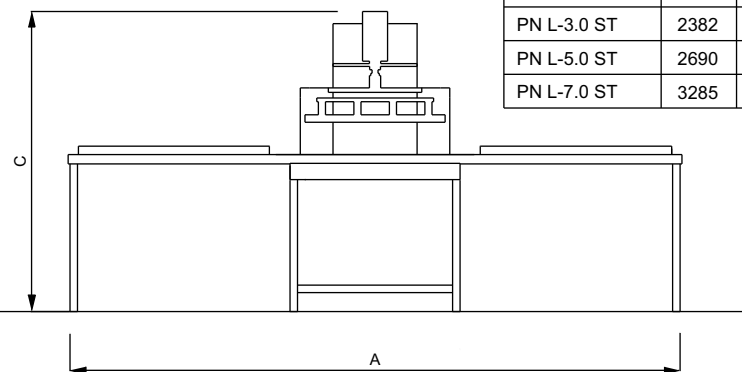
- ! Heated Die Holding Plate for ease of welding articles like blisters & rigid PVC sheets
- ! Heavy Duty press to generate large pressure for big Jobs
- ! RF Circuit with stabilised resonator to minimise electro magnetic interference



Model Name	PN L - 3.0 ST	PN L - 5.0 ST	PN L - 7.0 ST
Electrical Input	3 ph, 415V, 50/60 Hz, 6kVA	3 ph, 415V, 50/60 Hz, 10 kVA	3 ph, 415V, 50/60 Hz, 14 kVA
RF Power	3.0 kW	5.0 kW	7.0 kW
RF Frequency	27.12 MHz	27.12 MHz	27.12 MHz
Welding Capacity	75 sqr cms	125 sqr cms	175 sqr cms
Compressed Air	6 litre/minute @ 4 kgs/cm	20 litres/minute @ 4 kgs/cm	20 litre/minute @ 4 kgs/cm
Welding Stroke m.m.	100	100	125
Throat Clearance m.m.	275	325	450
Work Plate Size m.m.	700 x 430	800 x 550	1000 x 700



SIDE VIEW



FRONT VIEW

MODEL NAME	A	B	C	D
PN L-3.0 ST	2382	1515	1445	700
PN L-5.0 ST	2690	1715	1600	800
PN L-7.0 ST	3285	1972	1607	850

Shuttle-Tray (Motorised)

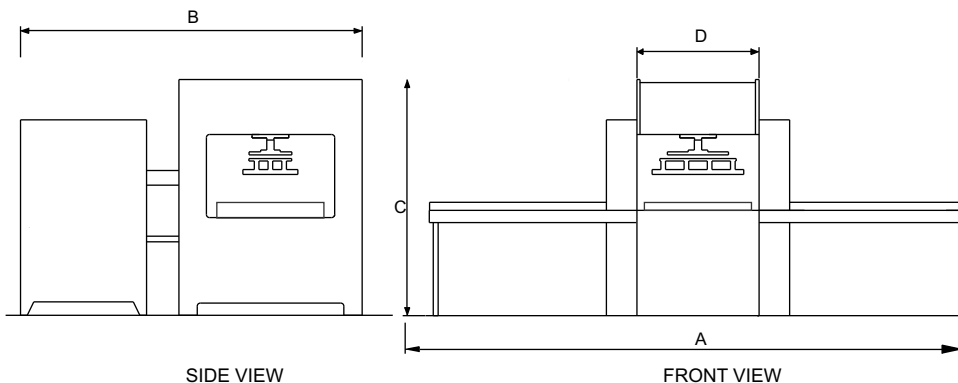
Customised for the Automobile industry for Door Trims, Auto Hoods, Sun Visors, Motor Bike Saddles and also suitable for Water Beds, Medical Aids etc.

Available with 10.0, 15.0, 25.0, 30.0 and 40.0kW generators.



The Machine is equipped with Hydraulic Power Pack for welding press and has Motorized Shuttle Trays. The machine is also available in pneumatic version. Similarly for special applications the press is also available in "C" Frame construction wherever front-loading of the job is a must

Model Name	HD-O 10.0 MST	HD-O 15.0 MST	HD-O 20.0 MST	HD-O 25.0 MST	HD-O 30.0 MST	HD-O 40.0 MST
Electrical Input	3 ph, 415V, 50/60 Hz, 20kVA	3 ph, 415V, 50/60 Hz, 30kVA	3 ph, 415V, 50/60 Hz, 40 kVA	3 ph, 415V, 50/60 Hz, 50 kVA	3 ph, 415V, 50/60 Hz, 60 kVA	3 ph, 415V, 50/60 Hz, 80 kVA
RF Power	10.0 kW	15 kW	20 kW	25kW	30kW	40kW
RF Frequency	27.12 MHz	13.56 MHz or 27.12 MHz	13.56 MHz or 27.12 MHz	13.56 MHz or 27.12 MHz	13.56 MHz or 27.12 MHz	13.56 MHz or 27.12 MHz
Welding Capacity	250 sqr cms	375 sqr cms	500 sqr cms	625 sqr cms	750 sqr cms	1000 sqr cms
Compressed Air	20 litre/minute @ 4kgs/cm	N A	N A	N A	N A	N A
Welding Stroke m.m.	200	200	200	200	200	200
Throat Clearance m.m.	400	500	600	600	575	750
Work Plate Size m.m.	1200 x 650	1400 x 800	1400 x 800	1500 x 1000	1800 x 1000	2350 x 1240



MODEL NAME	A	B	C	D
HD-O 10.0 MST	3850	2465	1850	800
HD-O 15.0 MST	4400	2798	1930	1000
HD-O 20.0 MST	4700	3165	2000	1000
HD-O 25.0 MST	4700	3265	2000	1400
HD-O 30.0 MST	5680	3165	2000	1400
HD-O 40.0 MST	6200	3865	2000	1400

Special Purpose Machines



Rotary Indexing



Available with 5.0, 8.0, 10.0 and 12.0 kW generators.
Detailed specifications on request

Hanging Press



Available with 8.0, 10.0 and 12.0 kW generators.
Detailed specifications on request



Flexible PVC sheets are joined together with High Frequency Welding Technique to make numerous utility articles. Strong, effective welding is achieved in seconds.

Optimum capacity machines offer consistent and high productivity.

Over 50 years of dedicated innovation makes 'MONGA' the leader in manufacture of versatile high frequency plastic welding machines. And keeps us 'welded' to our valued customers. Both in India and abroad.



To meet the ever-changing needs of the plastic welding industry, 'MONGA' offers world standard High Frequency Plastic Welding Machines from 1kW upto 40 kW output. Customised machines are also offered.

The manufacturing factory is located at Pune and is supported by a dynamic sales force and a strong after-sales-service team.

Global acceptance of our machines is our hall mark.

Committed to bringing the latest technology

To clients and to participate in the prosperity of Indian industry.

Manufactured by:



Registered Office & Works:

C-4 RS - 22, MIDC, Bhosari Industrial Estate, Pune-411026(India)

Tel.: +91-20-2712 0021/22 Fax: +91-20-2712 2562

Mumbai Office:

5, Arun Bazar, S.V.Road, Malad (W), Mumbai - 400 064

Tel: +91-22-2882 1334, 2882 1662 Fax: +91-22-2889 5654

Email: sales@mongagroup.com www.mongagroup.com

Represented by:

